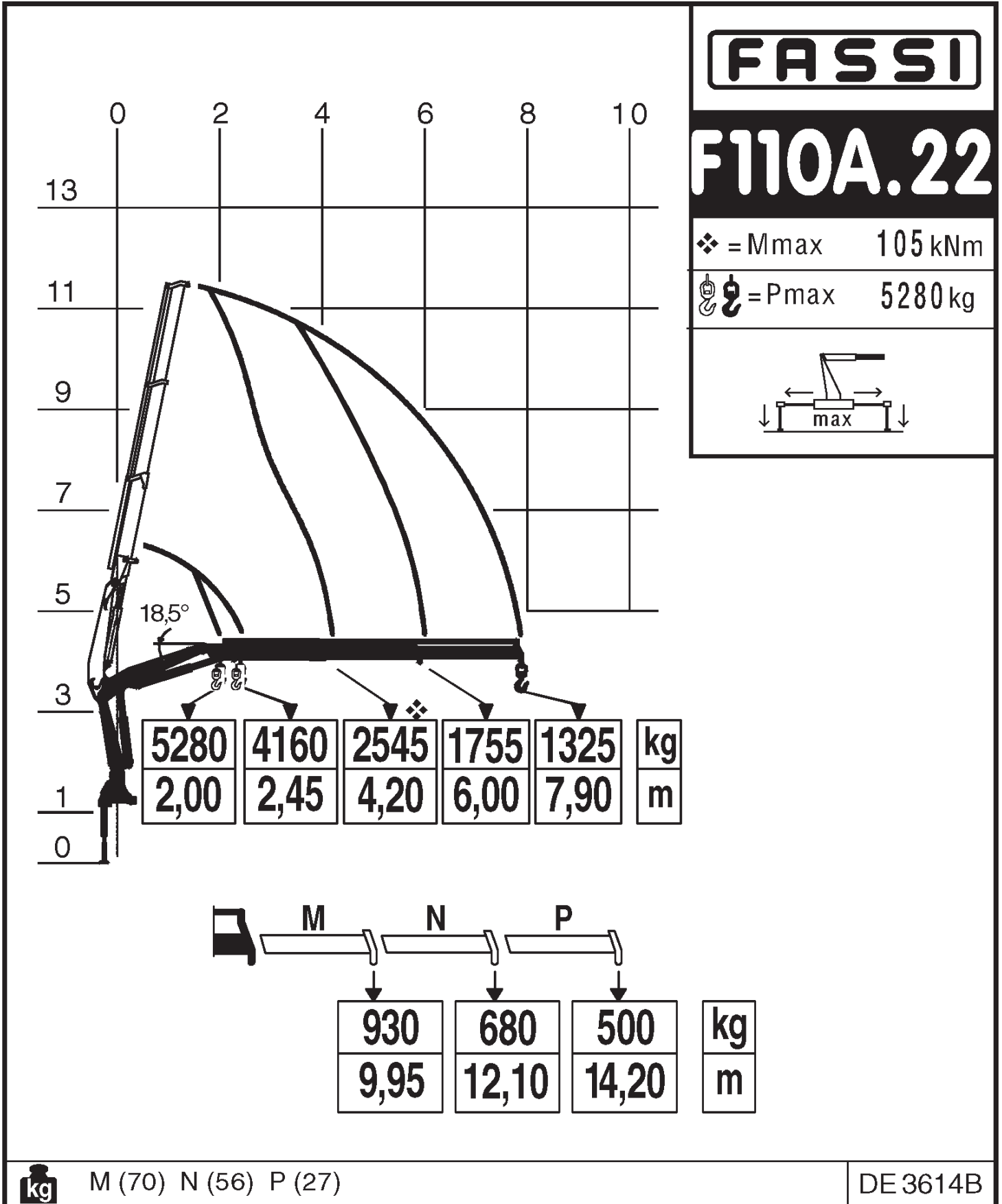


Via Roma, 110
14021 Albino (BG)
Tel.: +39 035 776400
Fax: +39 035 755020
www.fassigroup.com
fassi@fassigroup.com

LOAD DIAGRAM WITH LIFTING MOMENT LIMITING DEVICE



FASSI

F110A.22

❖ = Mmax 105 kNm

🔗 = Pmax 5280 kg

